

## INSPECT LARGE PARTS— FAST, EASY AND ACCURATE

### GagePlate™ System Adds Flexibility and Scalability to Master3DGage.

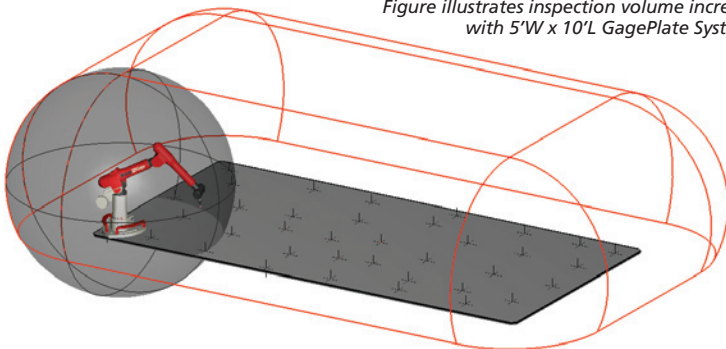
1. High quality accurate inspection of large parts and hard to reach places
2. Fast and easy alignment using rapid pattern technology
3. Low cost flexible inspection solution

GagePlate System™ for Master3DGage expands the capabilities of the portable CMM. You can now quickly and accurately large parts and hard to reach areas.

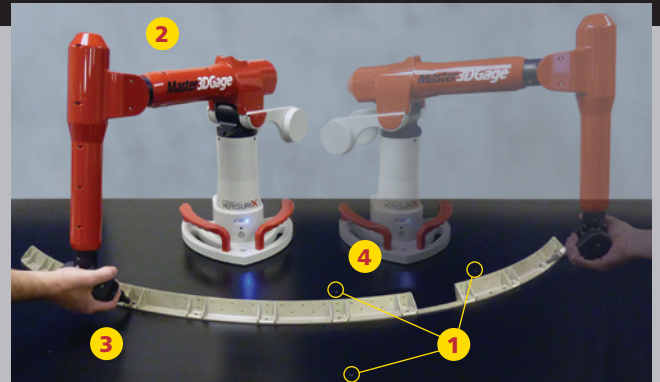
The GagePlate System utilizes a precision calibrated base plate manufactured from cast aluminium tooling plate with critical tolerance for flatness and dimensional control. The plate is combined with software to provide a rapid pattern technology solution to automate the multiple relocation of the Master3DGage around a large part, while referencing one coordinate system. The GagePlate System is available in two sizes 3'W x 6'L x .500" T and 5'W x 10'L x .75" T and can be mounted to an inspection table. Software automatically compensates for temperature-related measurement variations based on the known CTE of the part under inspection with the CTE of the calibrated GagePlate.

You can buy a larger CMM for thousands more that will be less accurate, due to tolerance degradation associated with arm length, or you can choose the flexible, affordable GagePlate System to handle all your inspection needs.

*The GagePlate System significantly increases the inspection volume of the Master3DGage. Figure illustrates inspection volume increase with 5'W x 10'L GagePlate System.*



### QUICK AND EASY TO USE



- 1 Probe two or more gage points on the GagePlate to align to Master3DGage
- 2 Align the inspection part to the CAD model using Master3DGage Auto Alignment process
- 3 Inspect the part areas within reach of the Master3DGage
- 4 Reposition the Master3DGage to inspect the next part area. Probe two or more gage points on the GagePlate to realign and continue inspection

### GagePlate SYSTEM SPECIFICATIONS

- Sizes: 3'W x 6"L x .500" T or 5'W x 10'L x .75" T
- Material: Dimensionally stable cast aluminum tooling plate
- Stiffness: High strength to weight ratio
- Flatness: Precision machined both sides .005" or better
- Roughness: 20 RMS max
- Finish: Corrosion resistant hard black anodized
- Density: .096 lb/in<sup>3</sup>
- Packaging: Wood crate on flat pallet

Get a demonstration of the GagePlate System and Master3DGage today.  
For the dealer nearest you call 866-340-5551 or visit [www.Master3DGage.com](http://www.Master3DGage.com).

## Customize your Master3DGage solution

Master3DGage is a flexible and scalable metrology solution designed to meet your inspection and reverse engineering needs. Use this form to configure the system and accessories that are right for your unique application. Contact your Master3DGage dealer for pricing.

Master3DGage Systems	Description	Amount
Master3DGage	Master3DGage PCMM Arm with hardware service contract, Master3DGage software, transit case, multi-language quick set-up guide, tutorials, starter probe kit, training part, USB cable, AC power supply, calibration sphere, calibration certificate, and mouse pad	
GagePlate System 3'W x 6'L x .005"T	Precision calibrated GagePlate System	
GagePlate System 5'W x 10'L x .75"T	Precision calibrated GagePlate System	
REVERSE Engineering Software	Point cloud editing, triangular surface meshing, NURB surfacing and feature recognition	
Training	Three day Master3DGage training course. Price is per student	
Magnet Mount Kit	Magnet Mounting Kit for Master3DGage Arms. Includes three precision ground height matched set	
Accessories		
Short Probe Kit	Short Probe Kit for 6 Axis Master3DGage Arms - includes: probe extensions of 50/60/70/85/100mm, 2/3/4/5/6mm probe tips and 2 TKJ male connectors	
Long Probe Kit	Long Probe Kit for 6 Axis Master3DGage Arms - includes: probe extensions of 130/150/180/200mm, 2/3/4/5/6mm probe tips and 2 TKJ male connectors	
3mm Ruby x 85mm L	3mm Ruby Ball Probe, 85mm Long, Male TKJ Connector, Carbon Fiber Shaft	
6mm Ruby x 85mm L	6mm Ruby Ball Probe, 85mm Long, Male TKJ Connector, Carbon Fiber Shaft	
Point x 85mm L	Point Probe, 85mm Long, Male TKJ Connector, Carbon Fiber Shaft	
3mm Ruby x 100mm L	3mm Ruby Ball Probe, 100mm Long, Male TKJ Connector, Carbon Fiber Shaft	
6mm Ruby x 100mm L	6mm Ruby Ball Probe, 100mm Long, Male TKJ Connector, Carbon Fiber Shaft	
Point x 100mm L	Point Probe, 100mm Long, Male TKJ Connector, Carbon Fiber Shaft	
3mm Ruby x 130mm L	3mm Ruby Ball Probe, 130mm Long, Male TKJ Connector, Carbon Fiber Shaft	
6mm Ruby x 130mm L	6mm Ruby Ball Probe, 130mm Long, Male TKJ Connector, Carbon Fiber Shaft	
Point x 130mm L	Point Probe, 130mm Long, Male TKJ Connector, Carbon Fiber Shaft	
3mm Ruby x 150mm L	3mm Ruby Ball Probe, 150mm Long, Male TKJ Connector, Carbon Fiber Shaft	
6mm Ruby x 150mm L	6mm Ruby Ball Probe, 150mm Long, Male TKJ Connector, Carbon Fiber Shaft	
Point x 150mm L	Point Probe, 150mm Long, Male TKJ Connector, Carbon Fiber Shaft	
3mm Ruby x 180mm L	3mm Ruby Ball Probe, 180mm Long, Male TKJ Connector, Carbon Fiber Shaft	
6mm Ruby x 180mm L	6mm Ruby Ball Probe, 180mm Long, Male TKJ Connector, Carbon Fiber Shaft	
Point x 180mm L	Point Probe, 180mm Long, Male TKJ Connector, Carbon Fiber Shaft	
3mm Ruby x 200mm L	3mm Ruby Ball Probe, 200mm Long, Male TKJ Connector, Carbon Fiber Shaft	
6mm Ruby x 200mm L	6mm Ruby Ball Probe, 200mm Long, Male TKJ Connector, Carbon Fiber Shaft	
Point x 200mm L	Point Probe, 200mm Long, Male TKJ Connector, Carbon Fiber Shaft	
<b>TOTAL PRICE</b>		



Magnetic mounting kit



Long Probe Kit



Short Probe Kit



Custom probes are also available.

**Financing Available**  
for as little as  
**\$693 per month.**  
Call for more information.